

**Flange heater Ø 240 mm
Incoloy 825; 2.4858**
AHFOR-BI-OP

With combination of temperature control and safety temperature limiter
Compatible with the consumption regulator
Fronius Ohmpilot, incl. seal


Application

Auxiliary heating system of drinking water and heating water.

Features

- FH** The heating element is made of six U- shaped heating tubes, each press-fitted into a press-fitting nipple. These are bolted with the immersion tube onto a steel flange. A food-safe tesnit disk serves as insulation . This heating element can be used for stainless steel-, as well as for black steel or enamelled storage tanks. Depending on storage type, select the settings using the DIP switch. The unheated zone is 70 mm for all types.
- TC** Electromechanical temperature control acc. EN 14597, not fail safe .
- STL** Electromechanical safety temperature limiter acc. EN 14597, fail safe. If nominal value is reached, the limiter switches and stays locked in this position. Reset is performed manually and is only possible after the sensing element is cooled off by approx. 10 K.
- Time factor of sensing element acc. EN 14597
 - Operation type TC Type 2 B acc. EN 14597
 - Operation type STL Type 2 BK acc. EN 145979

Type summary

Drinking- and heating water
Incoloy 825; 2.4858

Type	Order no.	Power	Immersion length [EL]
AHFOR-BI-OP-18.0	012-5611	18.0kW; 400V 3~	490mm

Technical data

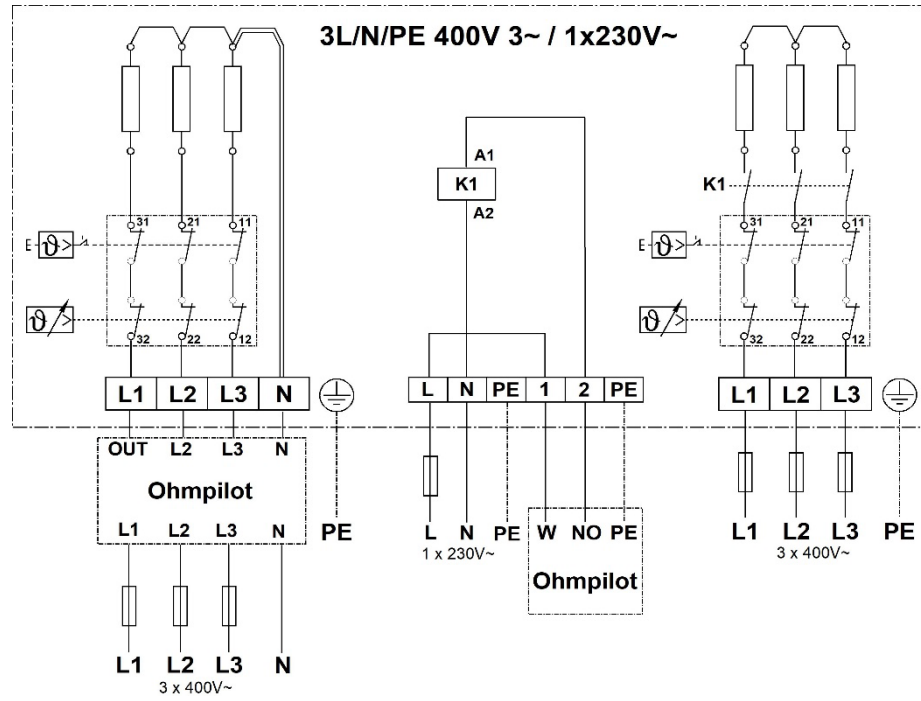
The following indications are valid for the above listed standard types. Due to the function, other types might show different data.

Application range	Adjustable cut-off temperature	0...*...28...85 °C
	Safety cut-off temperature ϑ_{off}	110 °C (0-9 K)
	Ambient temperature on switching head	max. 50 °C (T50)
	Thermal switching differential	11.0 K ± 5.5 K
	Ambient temperature for storage and transport	-30...+90 °C
Calibration	Calibration tolerance	± 7 K
	Time factor in water	<45 s
Specification	Flange material	St 37
	Outside flange diameter	Ø 240 mm
	Pitch circle diameter	Ø 210 mm / 12 X M12
	Flange seal	EPDM, KTW and FDA certification
	Tesnit sealing disk	Tesnit BA-U light blue, KTW certification
	Heating tube drinking water	Incoloy 825; 2.4858, Ø 8.2 mm
	Immersion tube	Cronifer 1.4529
	Surface load	7 W/cm ²
	Electrical connection	Screw clip
	Operating pressure	max. 10 bar
Housing cover	ABS UL94 V0, NCS 2005-R80B (light gray)	
Protection mode	IP21 acc. EN 60529	

Fitting notes

The device must be installed horizontally. The heating tubes must be covered entirely by the liquid. The circulation of the liquid shall not be inhibited.

Wiring diagram



Dimension drawing

