

Fitting instruction and user manual

Please keep in a safe place

Hardware set Askoma SmartHome

- Power supply to energy manager (1TE)
- Energy manager (2TE)
- Energy meter node (3TE)



Index

Installation procedure	Page 2
Safety information	Page 3
Scope of delivery	Page 3
Installation	Page 4
Schematic diagram	Page 7
Notes	Page 8

Support

Support hotline:	+41 62 958 70 99
Email	support@askoma.com
Homepage:	www.askoma.com
Download area:	the currently valid version is available on our homepage

Installation, setting and removal must be carried out by qualified electricians only.

Installation procedure

Installation procedure

1. Before installation at the customer

- See installation instructions for **ASKOHOME+**
- One-time preparation
 - * Registration
 - * Download mobile app from App Store for iOS or Play Store for Android devices

2. Electrical installation

- Assembly of the devices
- Wiring of the devices

3. Setting up the customer system (software)

- Registration of customer (by means of customer email)
- Registration energy manager ID number (QR code)
- Detection of connected devices

4. Instruction customer

- Customer confirms registration and gains access to his system via
 - * Web link from registration email
 - * mobile customer app from App Store or Play Store
- The customer books the subscription package that suits him

Safety information



- Do not place the device into operation until after having read the user manual.



- These devices may be used by children aged 8 or more and by persons with reduced physical, sensory or mental capacity or those lacking in experience and/or knowledge if they are supervised or if they have been instructed in safe operation of the device and understood the resultant dangers. Children may not play with the device. The device may not be cleaned or serviced by children unless they are supervised.



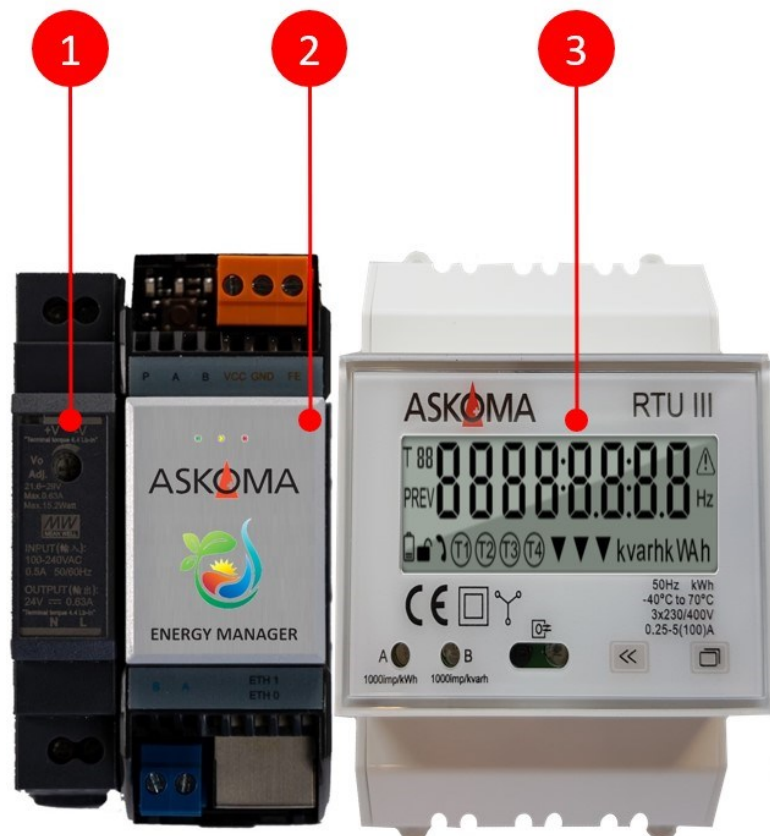
- Installation, setting and removal must be carried out by qualified electricians only.

Scope of delivery

1 Power supply to energy manager

2 Energy manager

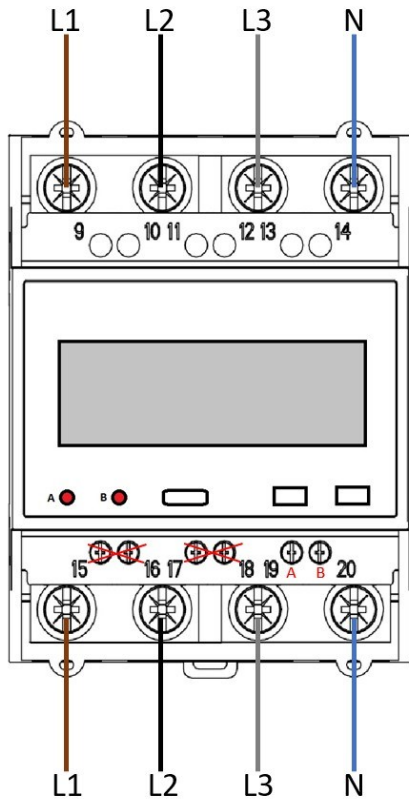
3 Energy meter



Installation

Energy meter

The energy meter is installed at the house node between the grid operator's network meter and the house distributor (consumers). This is used to record the excess energy that is fed back into the energy supply network.



Connection at the top (outgoing to the consumers)

- Phase L1
- Phase L2
- Phase L3
- Neutral wire

Connection at the bottom (supply from mains meter)

- Phase L1
- Phase L2
- Phase L3
- Neutral wire

- 15 -
- 16 -
- 17 -
- 18 -
- 19 RS485 A (Communication with the energy manager)
- 20 RS485 B (Communication with the energy manager)

Installation

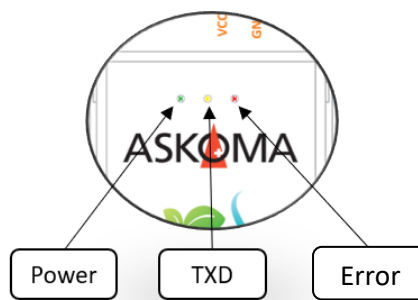
Energy manager

The energy manager is used to transmit energy and resource consumption. The gateway is used to monitor and control devices and system states.



Connection at the top (orange plug)

- VCC : Power supply 24VDC +
- GND : Power supply 24VDC -
- DI : Digital input 0-24VDC



Connection at the bottom (blue plug—communication meter)

(blue plug—communication meter)

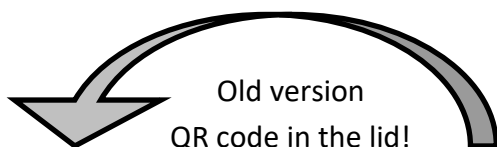
- + : RS485 A
- : RS485 B

(LAN sockets—connection to the network / heating element)

- ETH1 : LAN network
- ETH2 : Heating element (optional)

QR code

The QR code for registering the energy manager is located once on the enclosed registration card and once on or in the device.



Old version
QR code in the lid!

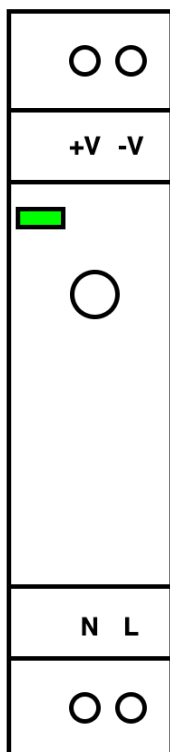
New version QR code „outside“ !



Installation

Power supply to energy manager

The power supply serves as the energy supply for the energy manager.



Connection at the top (secondary)

+V: DC voltage connection+

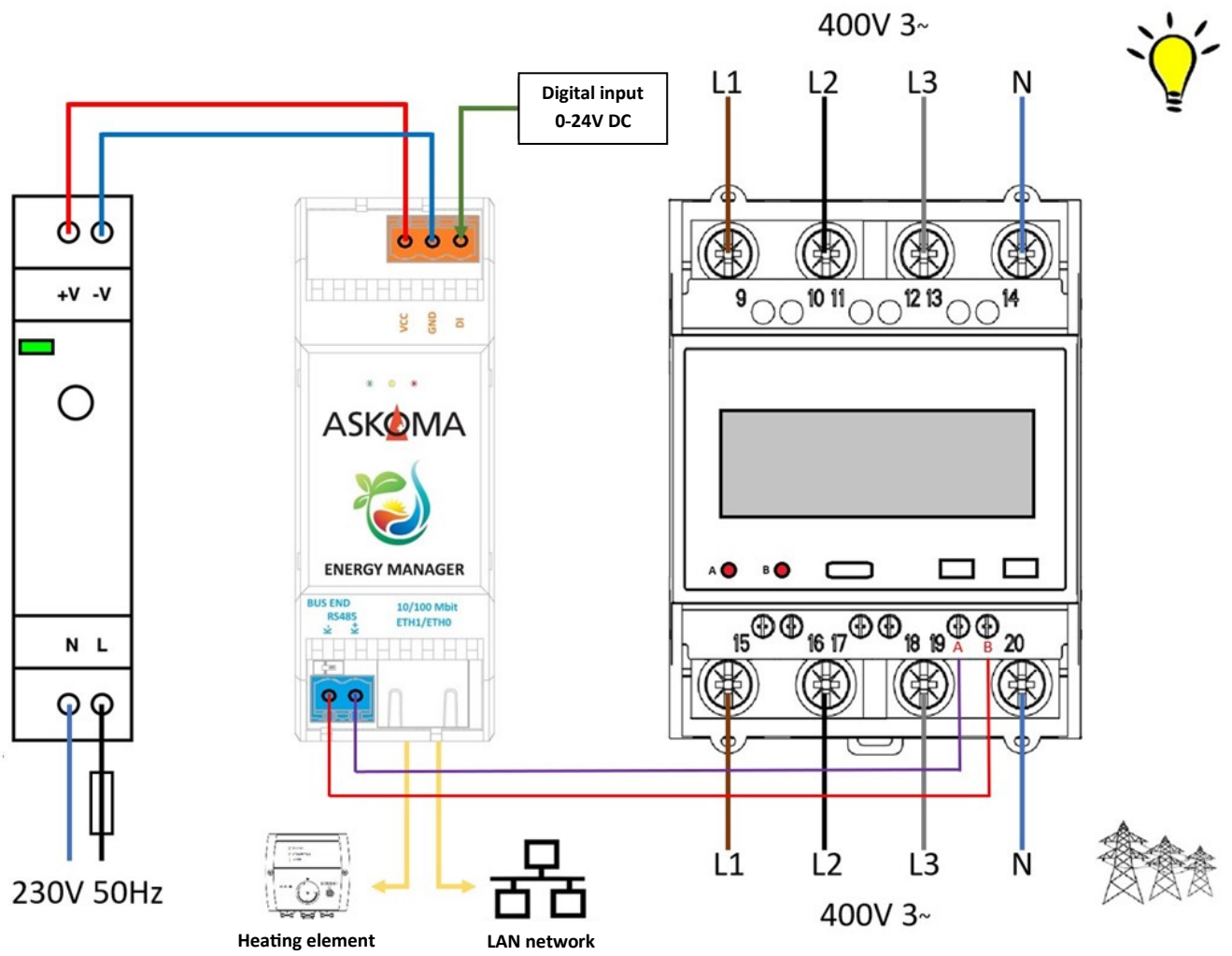
- V: DC voltage connection-

Connection at the bottom (primary)

L: Energy supply 230V~ L

N: Energy supply 230V~ N

Schematic diagram



Operating voltage:

Transformer to energy manager

» L/N 230 V ~

Energy manager

» CVV / GND 24VDC

Energy meter

» A/B/C/N 400V 3~

Notes